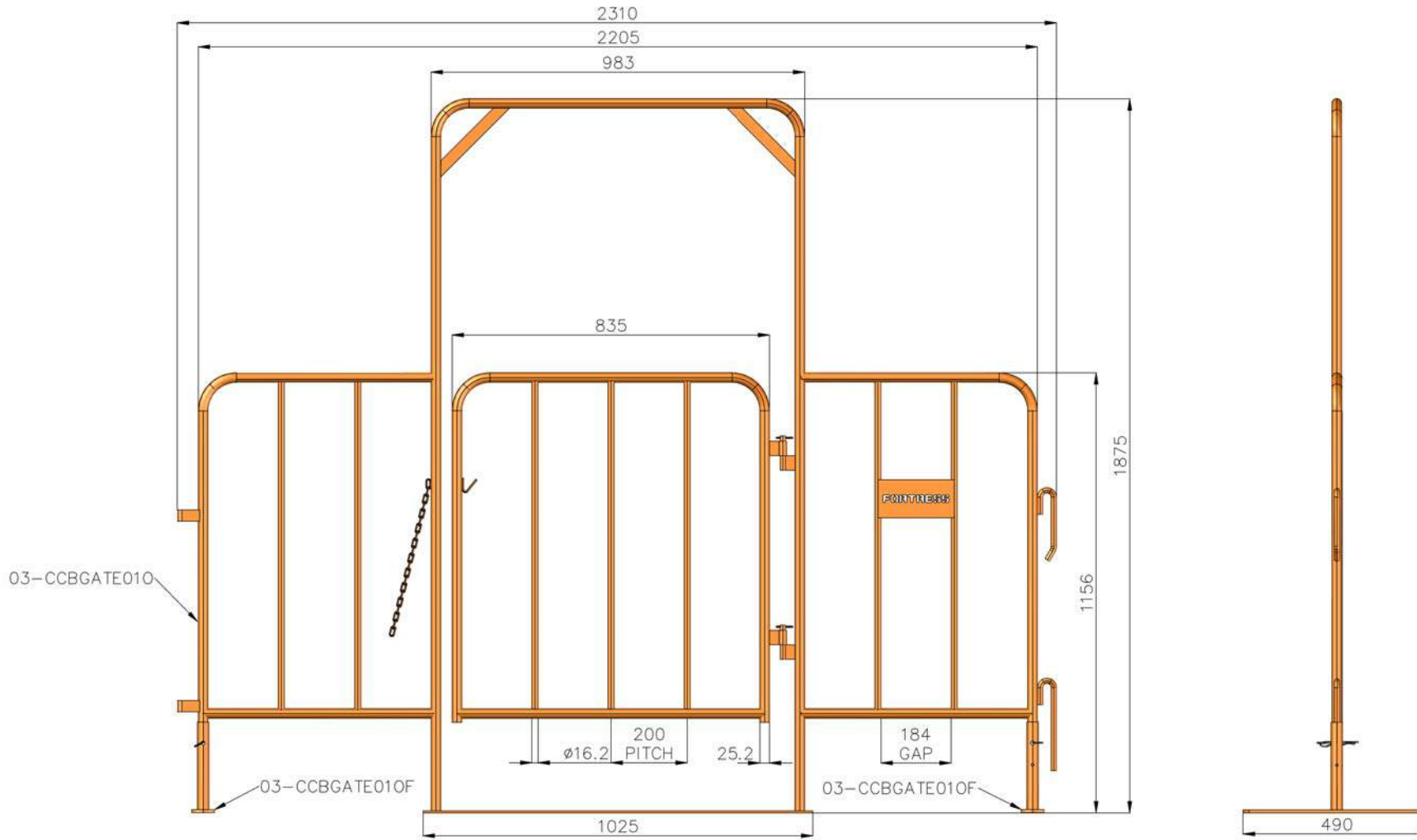


REMOVE ALL SHARP EDGES

CROWD CONTROL BARRIER GATE - GENERAL ARRANGEMENT



WEIGHT:

NOTE: MATERIAL AND COATING TYPE WILL BE NOTED ON REQUEST

	Coating Options	Material	Qty.
OPT 1	HDG - HOT DIP GAL	CARBON STEEL PRE-GALVANISED	
OPT 2	POLYESTER POWDERCOAT COLOUR RAL2010 ORANGE	CARBON STEEL PRE-GALVANISED	

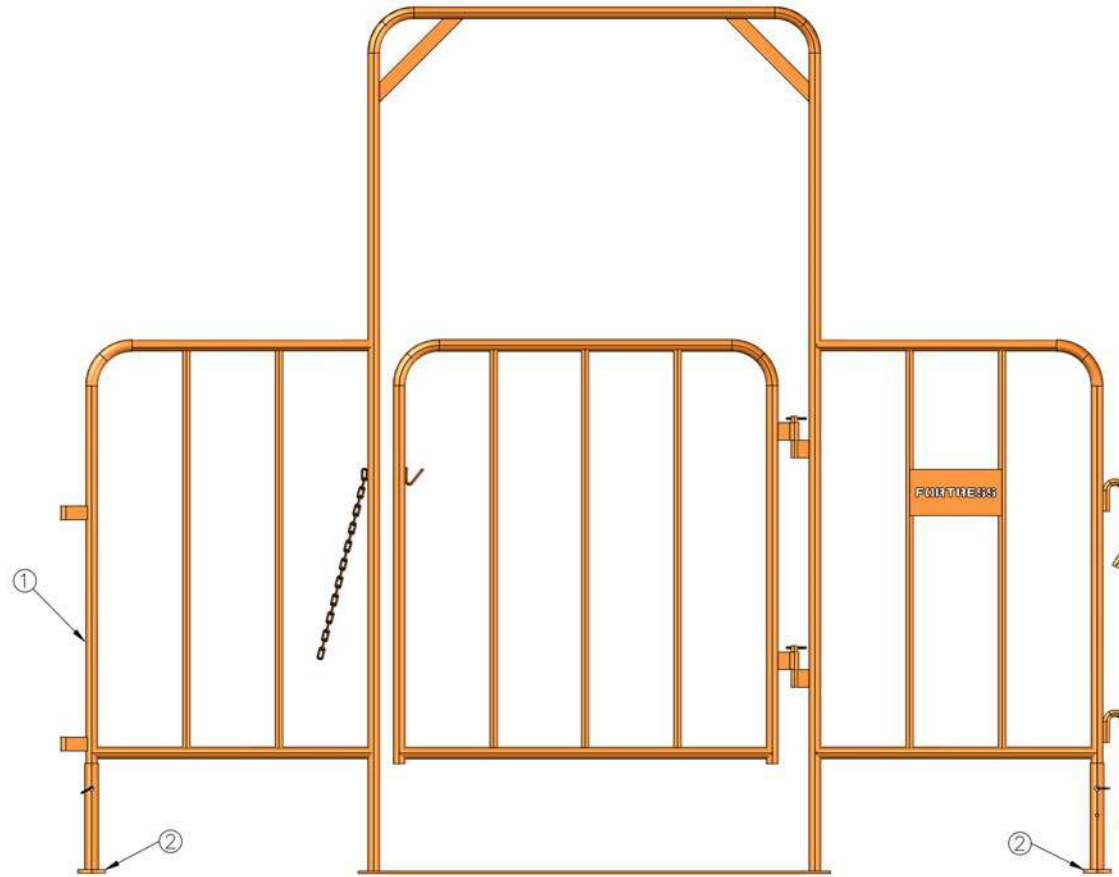
Notes	

Project : CROWD CONTROL BARRIER GATE	Date : 17.07.2022	Checked :		
Drawing Title : GENERAL ARRANGEMENT	Scale : 1:10	Page : 1 of 17		
Drawn By : ZJ		Drawing No. : 03-CCBGATE-O-GA	Version : 01	Size: A4

ALL DIMENSIONS IN mm
TOLERANCES: +/-
- 2mm
+/- 0.2
UNLESS STATED OTHERWISE
DO NOT SCALE DRAWING

REMOVE ALL SHARP EDGES

CROWD CONTROL BARRIER GATE - ASSEMBLY




WEIGHT:

NOTE: MATERIAL AND COATING TYPE WILL BE NOTED ON REQUEST

ITEM No.	PART / DRAWING No.	DESCRIPTION	Qty.
1	03-CCBGATE01O	FRAME FRAME	1
2	03-CCBGATE01OF	BOTTOM FOOT	2

	Coating Options	Material	Qty.
OPT 1	HDG - HOT DIP GAL	CARBON STEEL PRE-GALVANISED	
OPT 2	POLYESTER POWDERCOAT COLOUR RAL2010 ORANGE	CARBON STEEL PRE-GALVANISED	

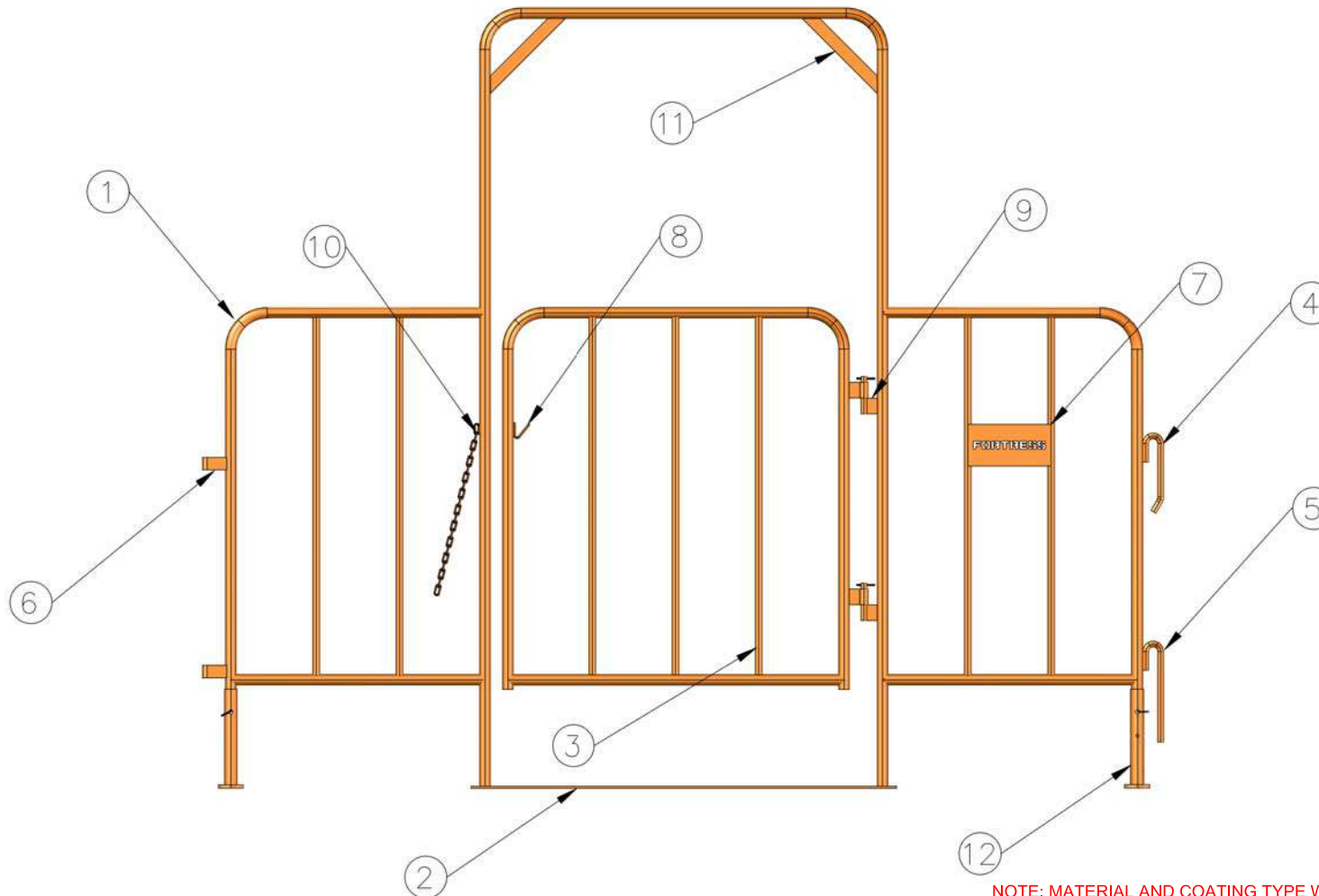
Notes	

Project :	Date :	Checked :		
CROWD CONTROL BARRIER GATE	17.07.2022			
Drawing Title :	Scale :	Page :		
ASSEMBLY	1:10	2 of 17		
Drawn By :		Drawing No. :	Version :	Size:
ZJ		03-CCBGATE-O-ASSY	01	A4

ALL DIMENSIONS IN mm
 TOLERANCES: +/-
 - 2mm
 +/- 0.2
 UNLESS STATED OTHERWISE
DO NOT SCALE DRAWING

REMOVE ALL SHARP EDGES

CROWD CONTROL BARRIER GATE - FABRICATION



WEIGHT:

NOTE: MATERIAL AND COATING TYPE WILL BE NOTED ON REQUEST

ITEM No.	PART / DRAWING No.	DESCRIPTION	Qty.
1	03-CCBGATE-O-1	FRAME TUBE	1
2	03-CCBGATE-O-2	BOTTOM PLATE	1
3	03-CCBGATE-O-3	VERTICAL INFILL TUBE	7
4	03-CCBGATE-O-4	TOP HOOK	1
5	03-CCBGATE-O-5	BOTTOM HOOK	1
6	03-CCBGATE-O-6	EYE	2
7	03-CCBGATE-O-7	NAME PLATE	1
8	03-CCBGATE-O-8	CHAIN HOOK	1
9	03-CCBGATE-O-8	HINGE (TOP & BOTTOM WITH COTTER PIN)	2
10	03-CCBGATE-O-8	21X LINK CHAIN	1
11	03-CCBGATE-O-9	TUBE SUPPORT	2
12	03-CCBGATE-O-F-SET	BARRIER FOOT	2

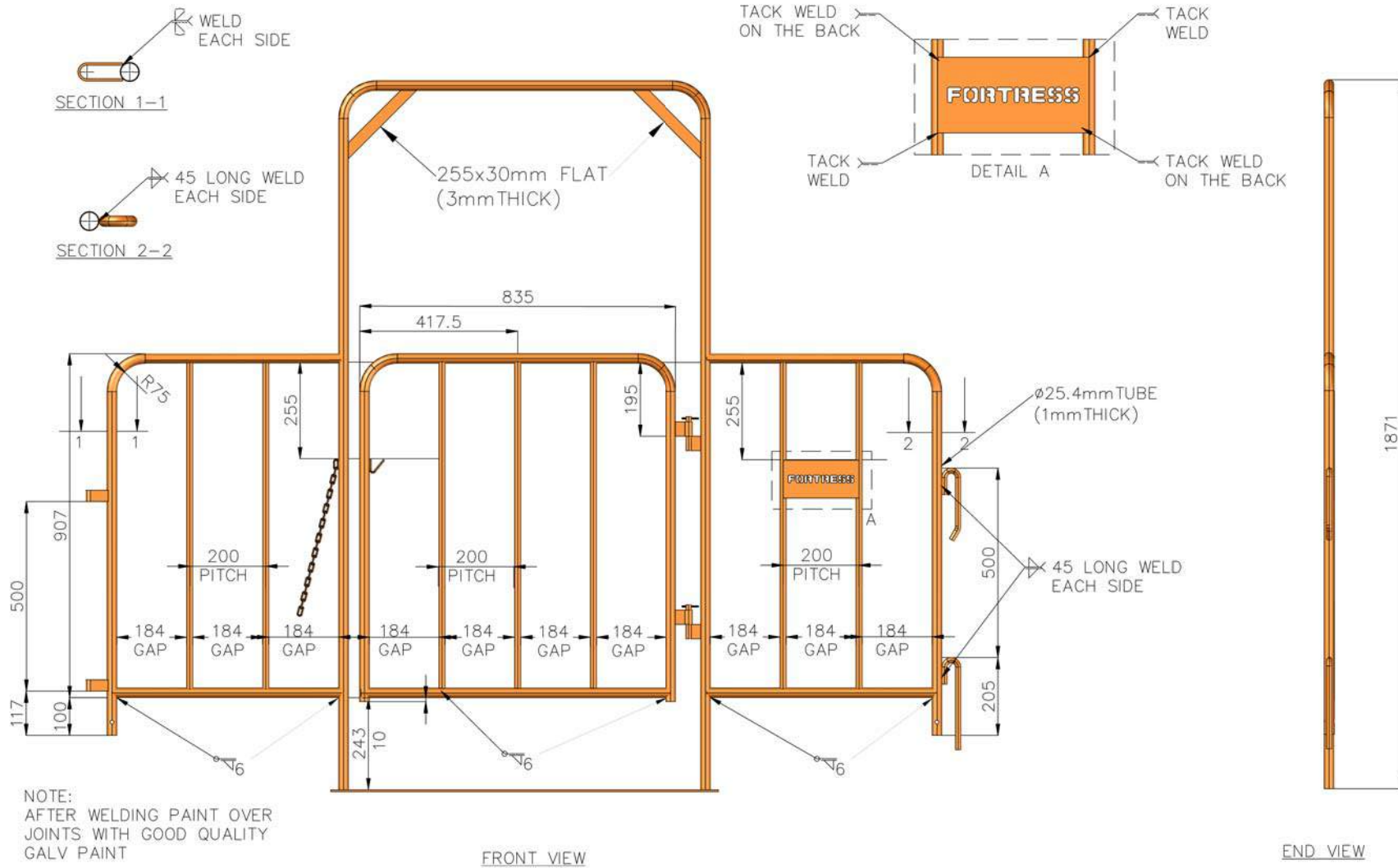
	Coating Options	Material	Qty.
OPT 1	HDG - HOT DIP GAL	CARBON STEEL PRE-GALVANISED	
OPT 2	POLYESTER POWDERCOAT COLOUR RAL2010 ORANGE	CARBON STEEL PRE-GALVANISED	

Project : CROWD CONTROL BARRIER GATE		Date : 17.07.2022	Checked :	
Drawing Title : FABRICATION SHEET 1		Scale : 1:10	Page : 3 of 17	
Drawn By : ZJ		Drawing No. : 03-CCBGATE-O-FAB-1	Version : 01	Size: A4

ALL DIMENSIONS IN mm
TOLERANCES: +/-
- 2mm
+/- 0.2
UNLESS STATED OTHERWISE
DO NOT SCALE DRAWING

REMOVE ALL SHARP EDGES

CROWD CONTROL BARRIER GATE - FABRICATION 2



NOTE: MATERIAL AND COATING TYPE WILL BE NOTED ON REQUEST

	Coating Options	Material	Qty.
OPT 1	HDG - HOT DIP GAL	CARBON STEEL PRE-GALVANISED	
OPT 2	POLYESTER POWDERCOAT COLOUR RAL2010 ORANGE	CARBON STEEL PRE-GALVANISED	

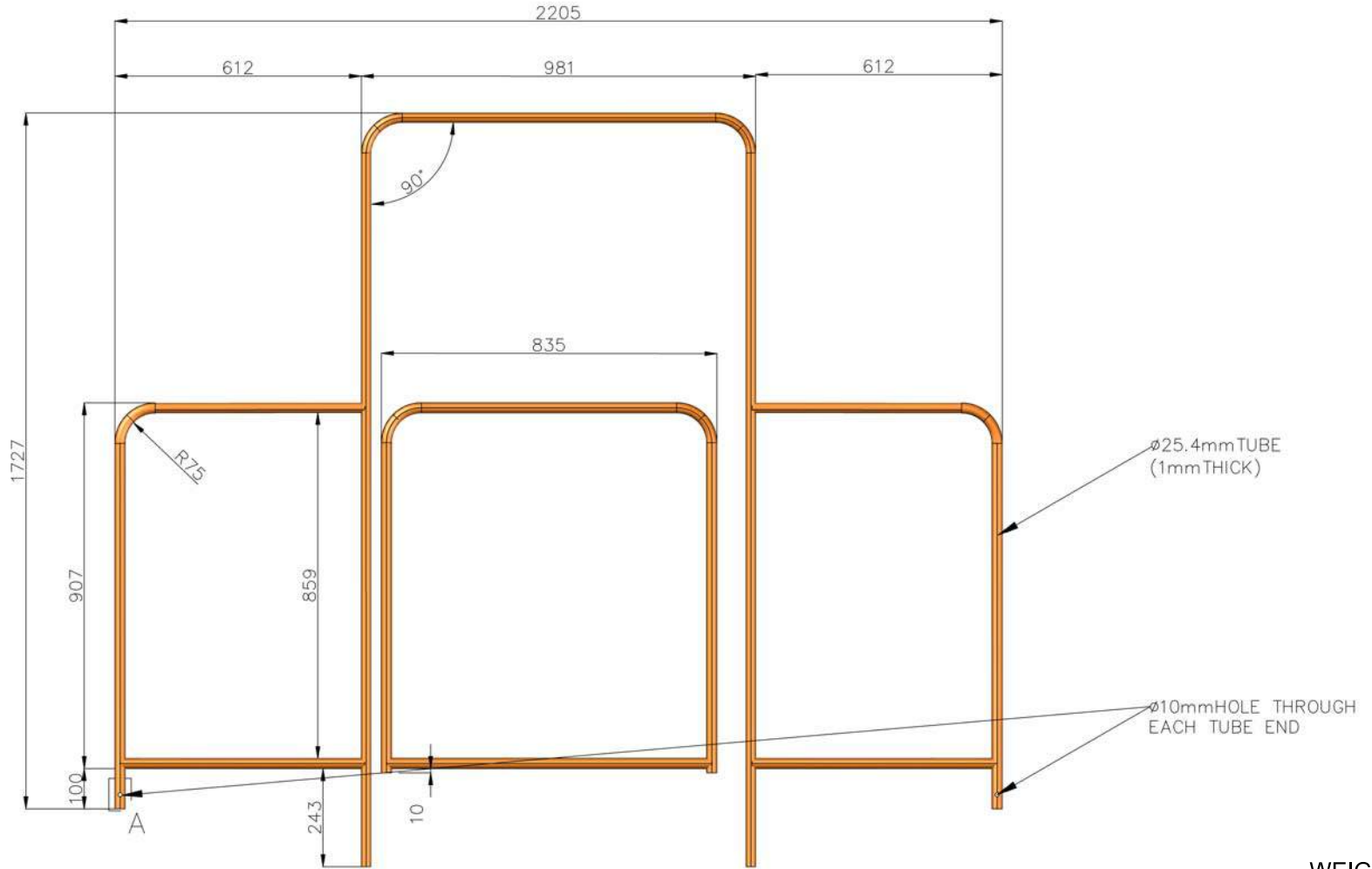
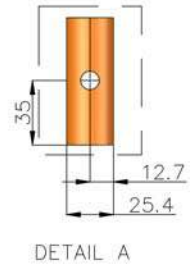
Notes	

Project : CROWD CONTROL BARRIER GATE	Date : 17.07.2022	Checked :		
Drawing Title : FABRICATION SHEET 2	Scale : 1:10	Page : 4 of 17		
Drawn By : ZJ		Drawing No. : 03-CCBGATE-O-FAB-2	Version : 01	Size: A4

ALL DIMENSIONS IN mm
TOLERANCES: +/-
- 2mm
+/- 0.2
UNLESS STATED OTHERWISE
DO NOT SCALE DRAWING

REMOVE ALL SHARP EDGES

CROWD CONTROL BARRIER GATE - FRAME TUBE



WEIGHT:

NOTE: MATERIAL AND COATING TYPE WILL BE NOTED ON REQUEST

	Coating Options	Material	Qty.
OPT 1	HDG - HOT DIP GAL	CARBON STEEL PRE-GALVANISED	
OPT 2	POLYESTER POWDERCOAT COLOUR RAL2010 ORANGE	CARBON STEEL PRE-GALVANISED	

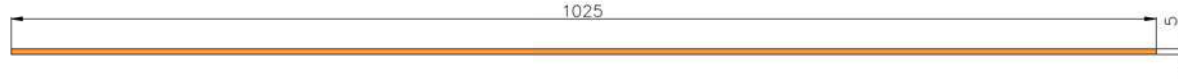
Notes	

Project : CROWD CONTROL BARRIER GATE		Date : 17.07.2022	Checked :	
Drawing Title : FRAME TUBE		Scale : 1:10	Page : 5 of 17	
Drawn By : ZJ		Drawing No. : 03-CCBGATE-O-1	Version : 01	Size: A4

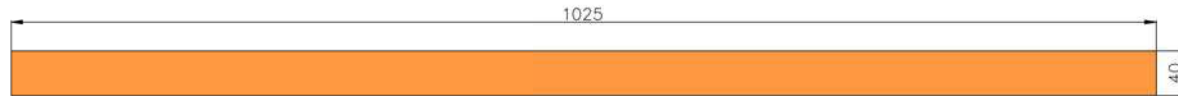
ALL DIMENSIONS IN mm
TOLERANCES: +/-
- 2mm
+/- 0.2
UNLESS STATED OTHERWISE
DO NOT SCALE DRAWING

REMOVE ALL SHARP EDGES

CROWD CONTROL BARRIER GATE - BOTTOM PLATE



FRONT VIEW



TOP VIEW




END VIEW

WEIGHT:
 NOTE: MATERIAL AND COATING TYPE WILL BE NOTED ON REQUEST

	Coating Options	Material	Qty.
OPT 1	HDG - HOT DIP GAL	CARBON STEEL PRE-GALVANISED	
OPT 2	POLYESTER POWDERCOAT COLOUR RAL2010 ORANGE	CARBON STEEL PRE-GALVANISED	

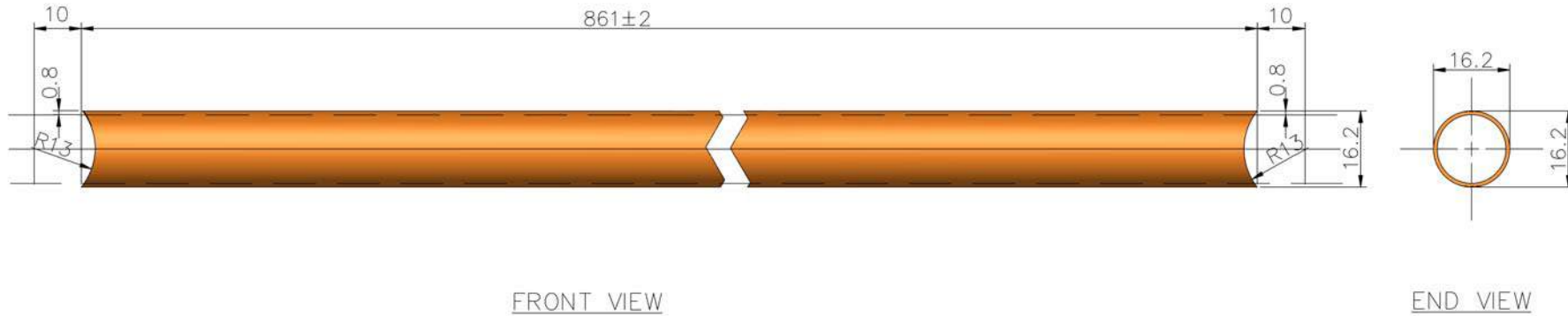
Notes	

Project : CROWD CONTROL BARRIER GATE	Date : 17.07.2022	Checked :		
Drawing Title : BOTTOM PLATE	Scale : 1:2	Page : 6 of 17		
Drawn By : ZJ		Drawing No. : 03-CCBGATE-O-2	Version : 01	Size: A4

ALL DIMENSIONS IN mm
 TOLERANCES: +/-
 - 2mm
 +/- 0.2
 UNLESS STATED OTHERWISE
DO NOT SCALE DRAWING

REMOVE ALL SHARP EDGES

CROWD CONTROL BARRIER GATE - VERTICAL INFILL TUBE



FRONT VIEW

END VIEW

WEIGHT:

NOTE: MATERIAL AND COATING TYPE WILL BE NOTED ON REQUEST

	Coating Options	Material	Qty.
OPT 1	HDG - HOT DIP GAL	CARBON STEEL PRE-GALVANISED	
OPT 2	POLYESTER POWDERCOAT COLOUR RAL2010 ORANGE	CARBON STEEL PRE-GALVANISED	

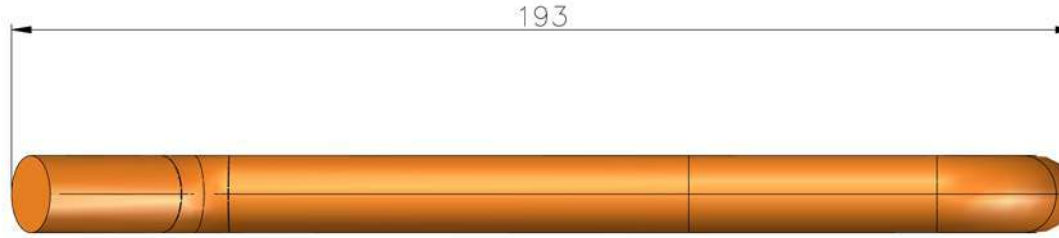
Notes	

Project : CROWD CONTROL BARRIER GATE		Date : 17.07.2022	Checked :	
Drawing Title : VERTICAL INFILL TUBE		Scale : 2:1	Page : 7 of 17	
Drawn By : ZJ		Drawing No. : 03-CCBGATE-O-3	Version : 01	Size: A4

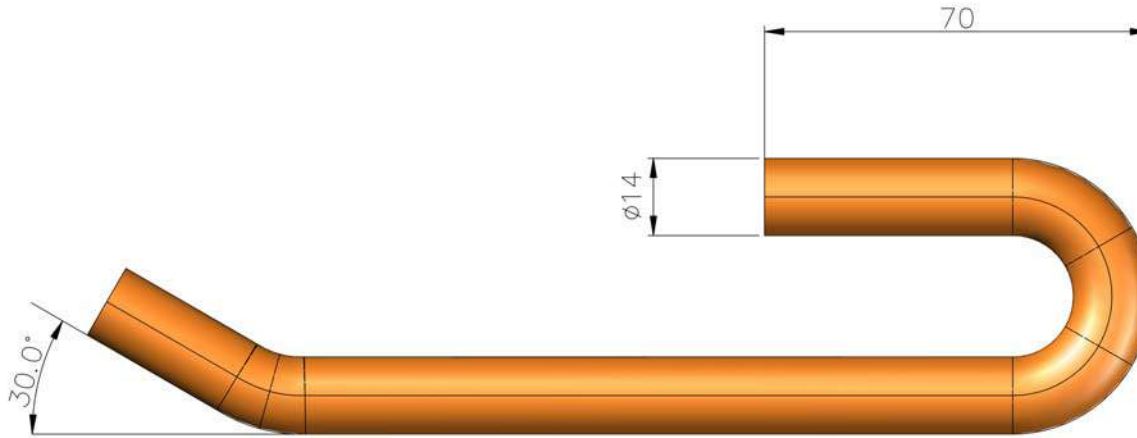
ALL DIMENSIONS IN mm
TOLERANCES: +/-
- 2mm
+/- 0.2
UNLESS STATED OTHERWISE
DO NOT SCALE DRAWING

REMOVE ALL SHARP EDGES

CROWD CONTROL BARRIER GATE - TOP HOOK

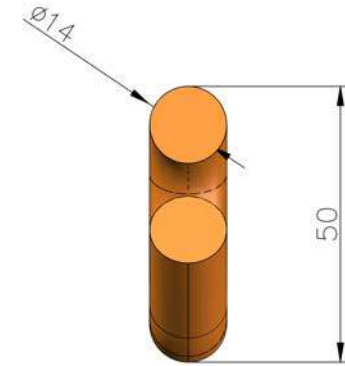


TOP VIEW



LENGTH BEFORE BENDING = 270mm

FRONT VIEW



END VIEW

WEIGHT:

NOTE: MATERIAL AND COATING TYPE WILL BE NOTED ON REQUEST

	Coating Options	Material	Qty.
OPT 1	HDG - HOT DIP GAL	CARBON STEEL PRE-GALVANISED	
OPT 2	POLYESTER POWDERCOAT COLOUR RAL2010 ORANGE	CARBON STEEL PRE-GALVANISED	

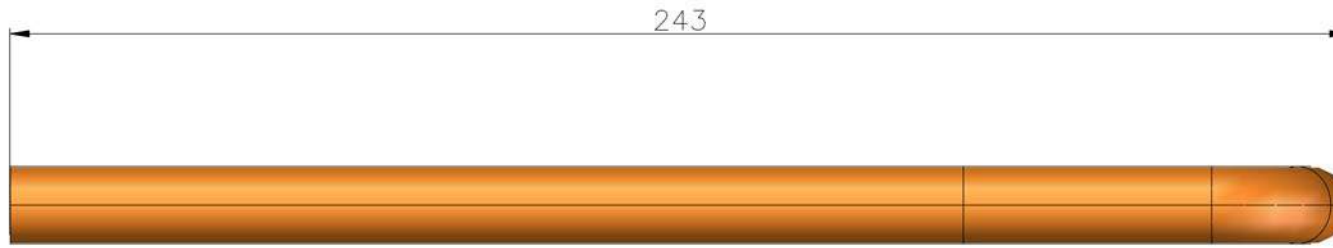
Notes	

Project : CROWD CONTROL BARRIER GATE	Date : 17.07.2022	Checked :		
Drawing Title : TOP HOOK	Scale : 1:1	Page : 8 of 17		
Drawn By : ZJ		Drawing No. : 03-CCBGATE-O-4	Version : 01	Size: A4

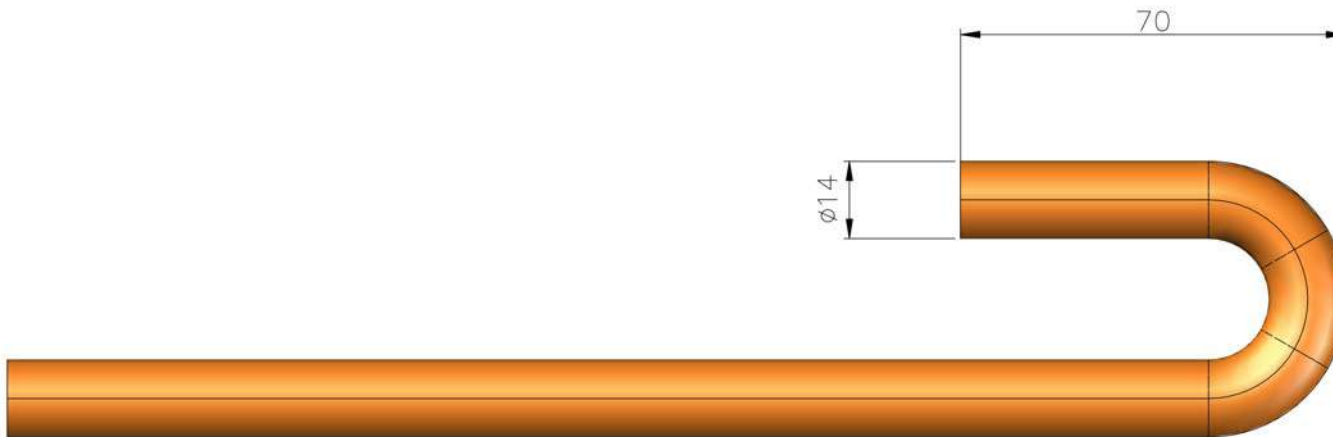
ALL DIMENSIONS IN mm
TOLERANCES: +/-
- 2mm
+/- 0.2
UNLESS STATED OTHERWISE
DO NOT SCALE DRAWING

REMOVE ALL SHARP EDGES

CROWD CONTROL BARRIER GATE - BOTTOM HOOK

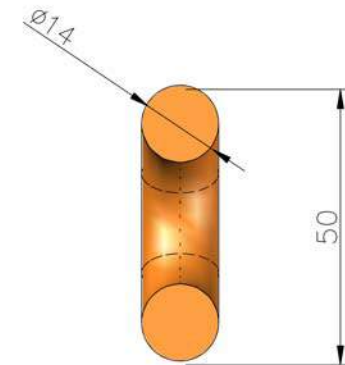


TOP VIEW



LENGTH BEFORE BENDING = 320mm

FRONT VIEW



END VIEW

WEIGHT:

NOTE: MATERIAL AND COATING TYPE WILL BE NOTED ON REQUEST

	Coating Options	Material	Qty.
OPT 1	HDG - HOT DIP GAL	CARBON STEEL PRE-GALVANISED	
OPT 2	POLYESTER POWDERCOAT COLOUR RAL2010 ORANGE	CARBON STEEL PRE-GALVANISED	

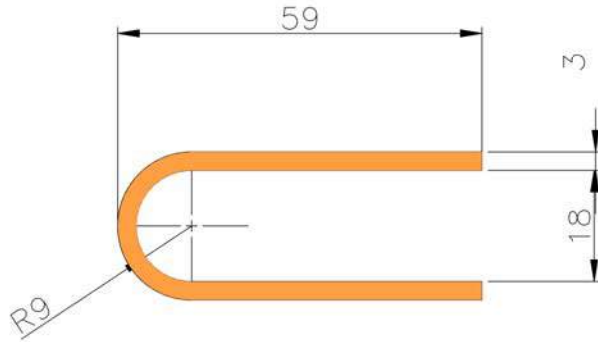
Notes	

Project : CROWD CONTROL BARRIER GATE	Date : 17.07.2022	Checked :		
Drawing Title : BOTTOM HOOK	Scale : 1:1	Page : 9 of 17		
Drawn By : ZJ		Drawing No. : 03-CCBGATE-O-5	Version : 01	Size: A4

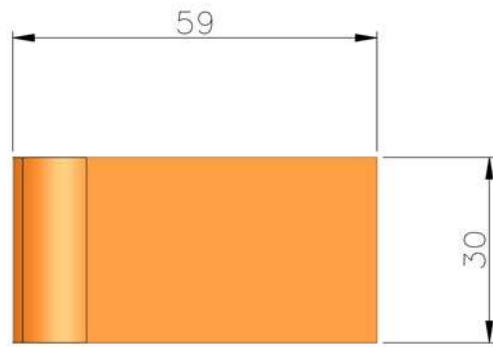
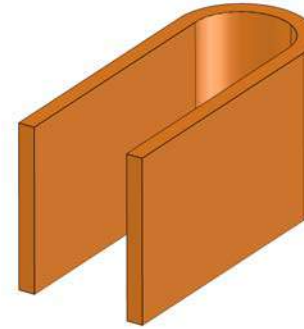
ALL DIMENSIONS IN mm
 TOLERANCES: +/-
 - 2mm
 +/- 0.2
 UNLESS STATED OTHERWISE
DO NOT SCALE DRAWING

REMOVE ALL SHARP EDGES

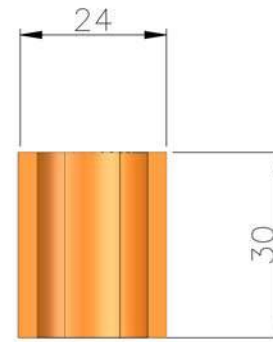
CROWD CONTROL BARRIER GATE - EYE



TOP VIEW



FRONT VIEW



END VIEW

WEIGHT:

NOTE: MATERIAL AND COATING TYPE WILL BE NOTED ON REQUEST

	Coating Options	Material	Qty.
OPT 1	HDG - HOT DIP GAL	CARBON STEEL PRE-GALVANISED	
OPT 2	POLYESTER POWDERCOAT COLOUR RAL2010 ORANGE	CARBON STEEL PRE-GALVANISED	

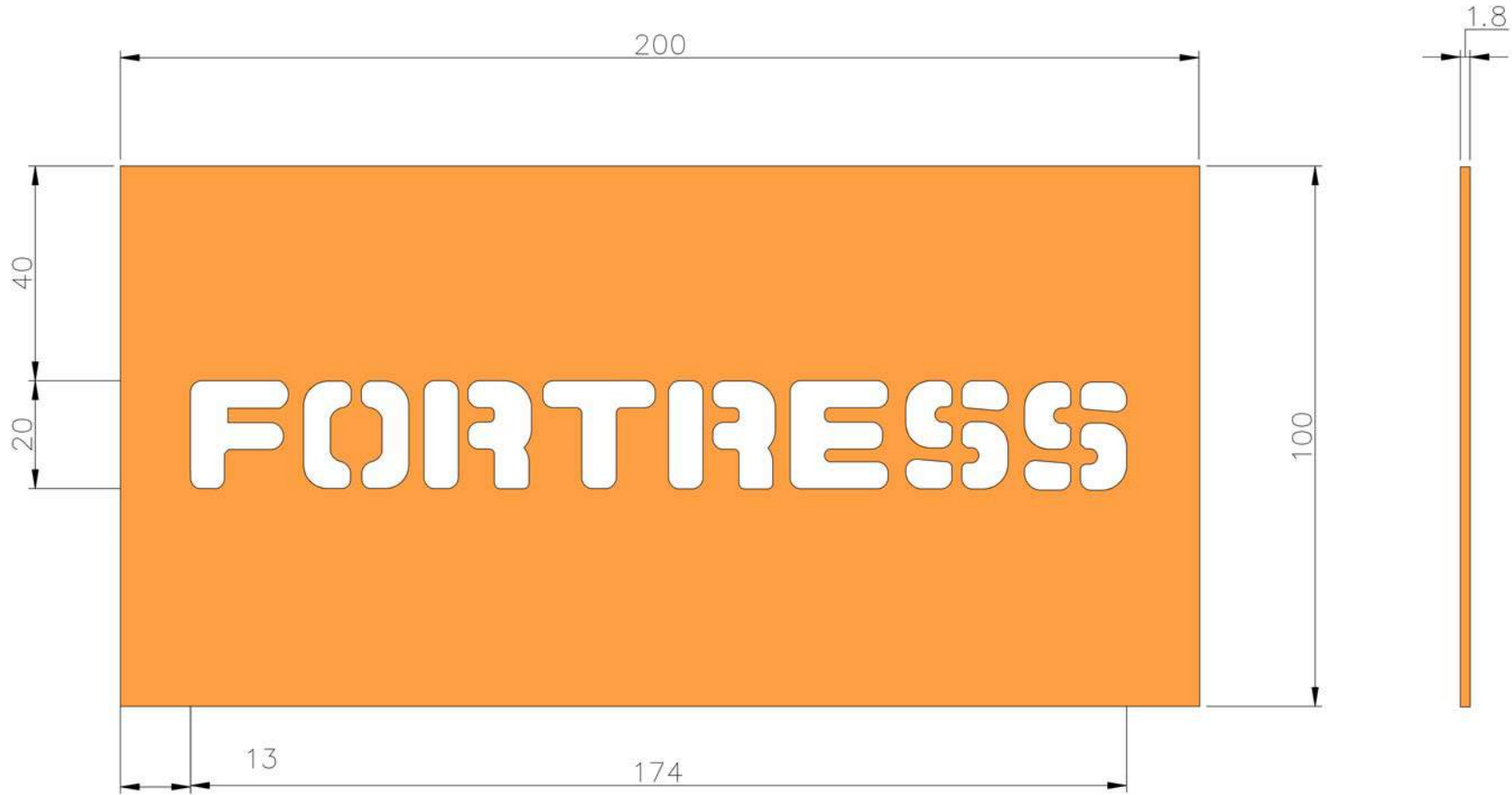
Notes	

Project : CROWD CONTROL BARRIER GATE	Date : 17.07.2022	Checked :		
Drawing Title : EYE	Scale : 2:1	Page : 10 of 17		
Drawn By : ZJ		Drawing No. : 03-CCBGATE-O-6	Version : 01	Size: A4

ALL DIMENSIONS IN mm
 TOLERANCES: +/-
 - 2mm
 +/- 0.2
 UNLESS STATED OTHERWISE
DO NOT SCALE DRAWING

REMOVE ALL SHARP EDGES

CROWD CONTROL BARRIER GATE - NAME PLATE



WEIGHT:

NOTE: MATERIAL AND COATING TYPE WILL BE NOTED ON REQUEST

	Coating Options	Material	Qty.
OPT 1	HDG - HOT DIP GAL	CARBON STEEL PRE-GALVANISED	
OPT 2	POLYESTER POWDERCOAT COLOUR RAL2010 ORANGE	CARBON STEEL PRE-GALVANISED	

Notes	

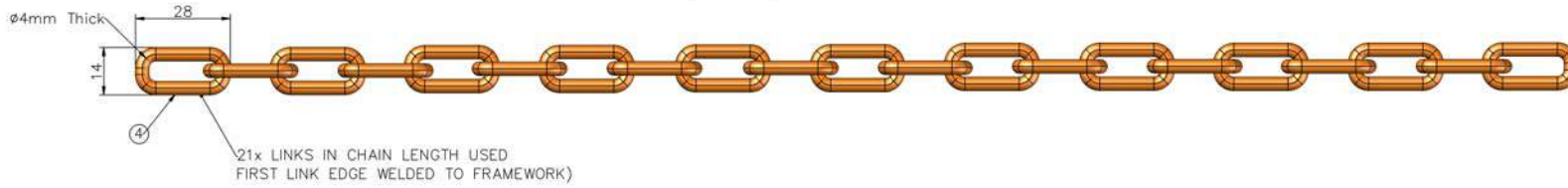
Project : CROWD CONTROL BARRIER GATE	Date : 17.07.2022	Checked :		
Drawing Title : NAME PLATE	Scale : 1:1	Page : 11 of 17		
Drawn By : ZJ		Drawing No. : 03-CCBGATE-O-7	Version : 01	Size: A4

ALL DIMENSIONS IN mm
 TOLERANCES: +/-
 - 2mm
 +/- 0.2
 UNLESS STATED OTHERWISE
DO NOT SCALE DRAWING

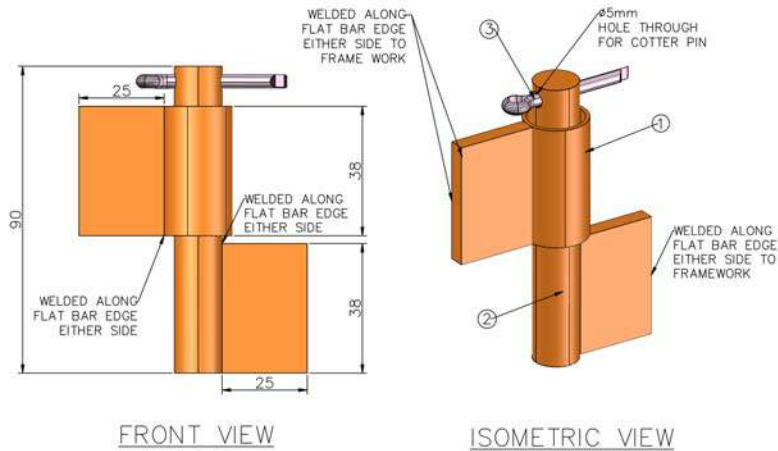
REMOVE ALL SHARP EDGES

CROWD CONTROL BARRIER GATE - HINGE, CHAIN & HOOK

CHAIN



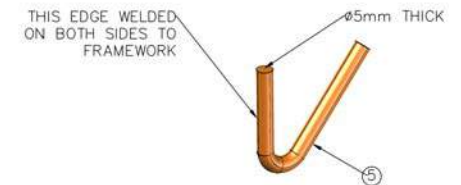
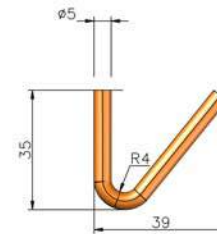
HINGE ASSEMBLY



COTTER PIN



CHAIN HOOK

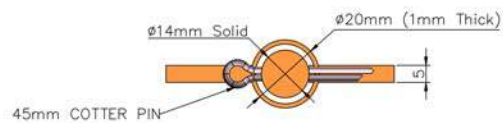


FRONT VIEW

ISOMETRIC VIEW

FRONT VIEW

ISOMETRIC VIEW




TOP VIEW

WEIGHT:
NOTE: MATERIAL AND COATING TYPE WILL BE NOTED ON REQUEST

	Coating Options	Material	Qty.
OPT 1	HDG - HOT DIP GAL	CARBON STEEL PRE-GALVANISED	
OPT 2	POLYESTER POWDERCOAT COLOUR RAL2010 ORANGE	CARBON STEEL PRE-GALVANISED	

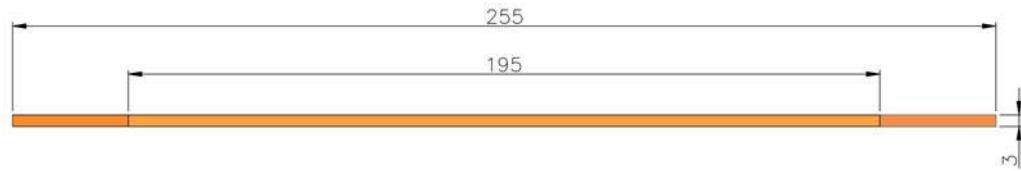
ITEM No.	PART No.	DESCRIPTION	Qty.
1	03-CCBGATE01-HT	HINGE TOP PART	2
2	03-CCBGATE01-HB	HINGE BOTTOM PART	2
3	03-CCBGATE01-CP	COTTER PIN	2
4	03-CCBGATE01-CH	21X LINK CHAIN	1
5	03-CCBGATE01-CHK	CHAIN HOOK	1
6			

Project : CROWD CONTROL BARRIER GATE	Date : 17.07.2022	Checked :
Drawing Title : GATE HARDWARE	Scale : 1:1	Page : 12 of 17
Drawn By : ZJ	Drawing No. : 03-CCBGATE-O-8	Version : 01
		Size: A4

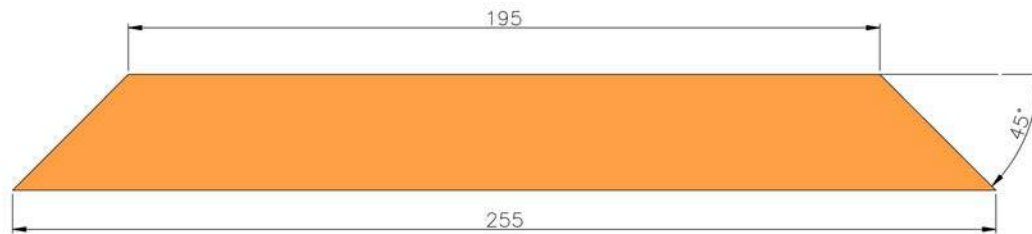
ALL DIMENSIONS IN mm
TOLERANCES: +/-
- 2mm
+/- 0.2
UNLESS STATED OTHERWISE
DO NOT SCALE DRAWING

REMOVE ALL SHARP EDGES

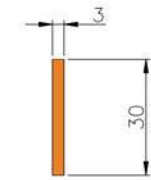
CROWD CONTROL BARRIER GATE - TUBE FRAME SUPPORT



TOP VIEW



FRONT VIEW



END VIEW

ALL DIMENSIONS IN mm
 TOLERANCES: +/-
 - 2mm
 +/- 0.2
 UNLESS STATED OTHERWISE
DO NOT SCALE DRAWING

Notes	

WEIGHT:
 NOTE: MATERIAL AND COATING TYPE WILL BE NOTED ON REQUEST

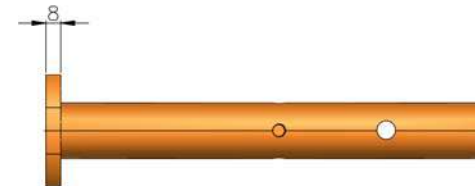
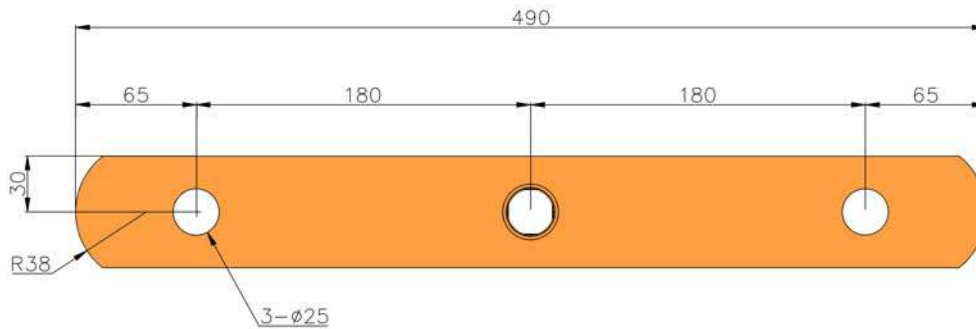
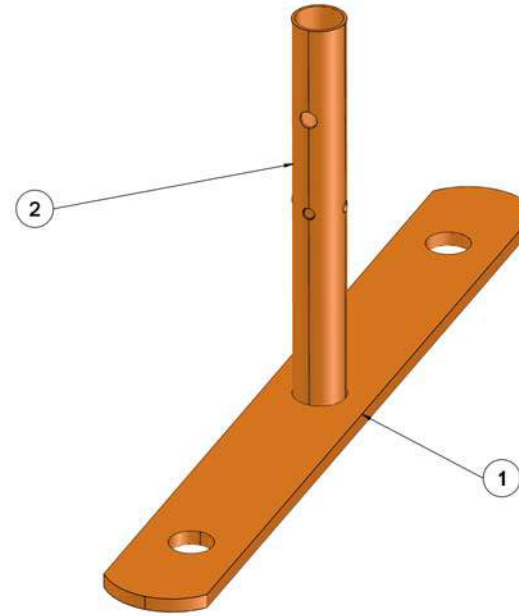
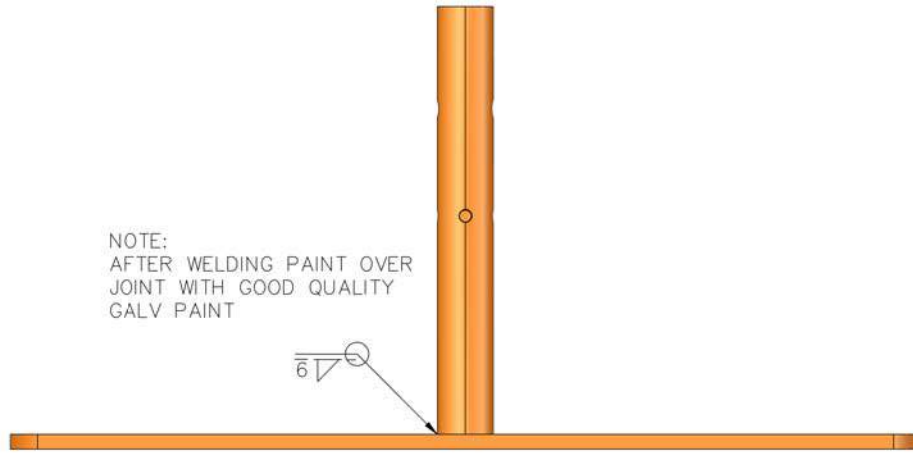
	Coating Options	Material	Qty.
OPT 1	HDG - HOT DIP GAL	CARBON STEEL PRE-GALVANISED	
OPT 2	POLYESTER POWDERCOAT COLOUR RAL2010 ORANGE	CARBON STEEL PRE-GALVANISED	

Project : CROWD CONTROL BARRIER GATE	Date : 17.07.2022	Checked :		
Drawing Title : TUBE FRAME SUPPORT PLATE	Scale : 1:1	Page : 13 of 17		
Drawn By : ZJ		Drawing No. : 03-CCBGATE-O-9	Version : 01	Size: A4

REMOVE ALL SHARP EDGES

CROWD CONTROL BARRIER GATE FOOT - FABRICATION

NOTE:
AFTER WELDING PAINT OVER
JOINT WITH GOOD QUALITY
GALV PAINT



WEIGHT: 2KG

NOTE: MATERIAL AND COATING TYPE WILL BE NOTED ON REQUEST

ITEM No.	PART No.	DESCRIPTION	Qty.
1	03-CCBGATE01F-1	BASE PLATE	
2	03-CCBGATE01F-2	TUBE	

Notes	

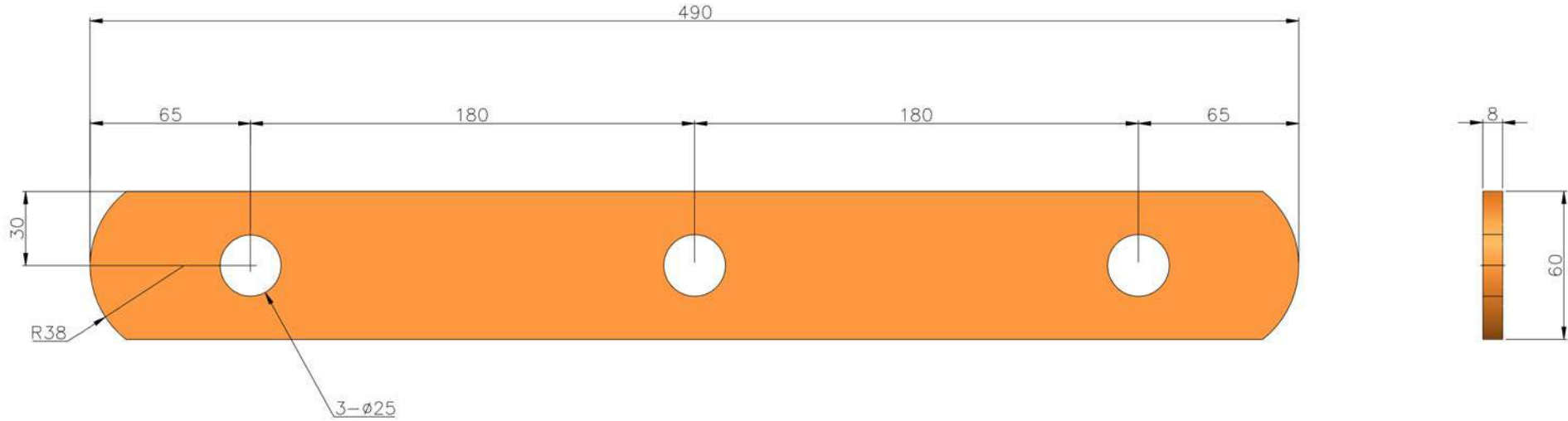
ALL DIMENSIONS IN mm
TOLERANCES: +/-
- 2mm
+/- 0.2
UNLESS STATED OTHERWISE
DO NOT SCALE DRAWING

	Coating Options	Material	Qty.
OPT 1	HDG - HOT DIP GAL	CARBON STEEL PRE-GALVANISED	
OPT 2	POLYESTER POWDERCOAT COLOUR RAL2010 ORANGE	CARBON STEEL PRE-GALVANISED	

Project : CROWD CONTROL BARRIER GATE		Date : 17.07.2022	Checked :	
Drawing Title : FOOT - FABRICATION		Scale : 1:2	Page : 15 of 17	
Drawn By : ZJ		Drawing No. : 03-CCBGATE-O-F-FAB	Version : 01	Size: A4

REMOVE ALL SHARP EDGES


CROWD CONTROL BARRIER GATE - FOOT BASE PLATE



WEIGHT:
 NOTE: MATERIAL AND COATING TYPE WILL BE NOTED ON REQUEST

	Coating Options	Material	Qty.
OPT 1	HDG - HOT DIP GAL	CARBON STEEL PRE-GALVANISED	
OPT 2	POLYESTER POWDERCOAT COLOUR RAL2010 ORANGE	CARBON STEEL PRE-GALVANISED	

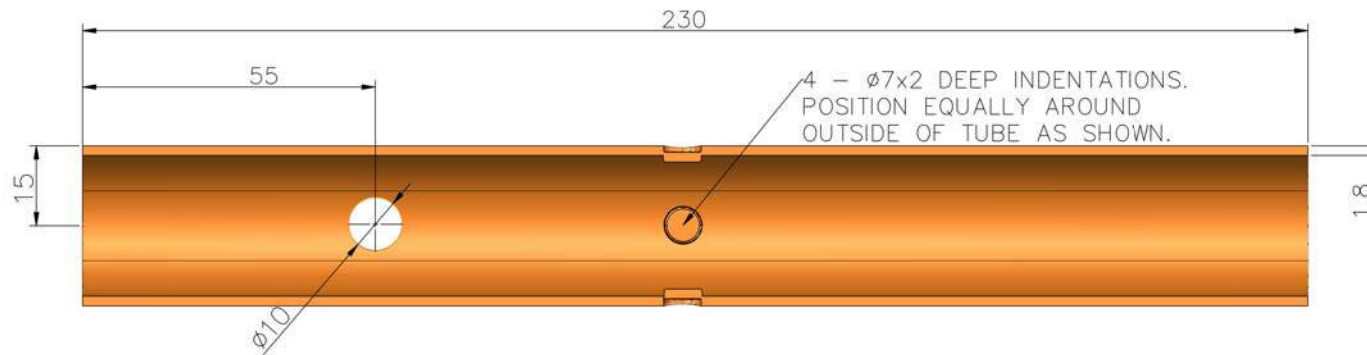
Notes	

Project : CROWD CONTROL BARRIER GATE	Date : 11.07.2022	Checked :		
Drawing Title : FOOT - BASE PLATE	Scale : 1:2	Page : 16 of 17		
Drawn By : ZJ		Drawing No. : 03-CCBGATE-O-F-1	Version : 01	Size: A4

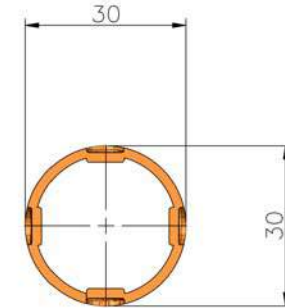
ALL DIMENSIONS IN mm
 TOLERANCES: +/-
 - 2mm
 +/- 0.2
 UNLESS STATED OTHERWISE
DO NOT SCALE DRAWING

REMOVE ALL SHARP EDGES

CROWD CONTROL BARRIER GATE - FOOT TUBE



FRONT VIEW



END VIEW

WEIGHT:
 NOTE: MATERIAL AND COATING TYPE WILL BE NOTED ON REQUEST

	Coating Options	Material	Qty.
OPT 1	HDG - HOT DIP GAL	CARBON STEEL PRE-GALVANISED	
OPT 2	POLYESTER POWDERCOAT COLOUR RAL2010 ORANGE	CARBON STEEL PRE-GALVANISED	

Notes	

Project : CROWD CONTROL BARRIER GATE	Date : 17.07.2022	Checked :		
Drawing Title : FOOT - TUBE	Scale : 1:1	Page : 17 of 17		
Drawn By : ZJ		Drawing No. : 03-CCBGATE-O-F-2	Version : 01	Size: A4

ALL DIMENSIONS IN mm
 TOLERANCES: +/-
 - 2mm
 +/- 0.2
 UNLESS STATED OTHERWISE
DO NOT SCALE DRAWING